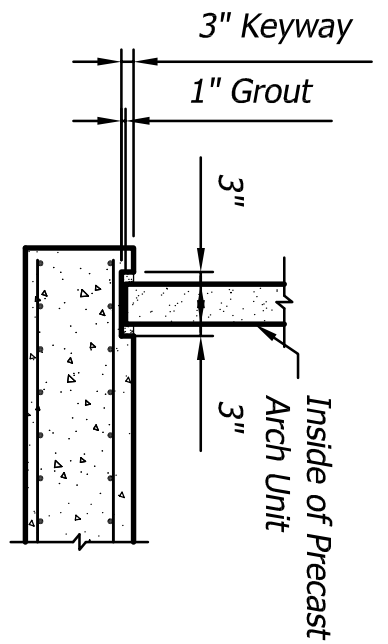
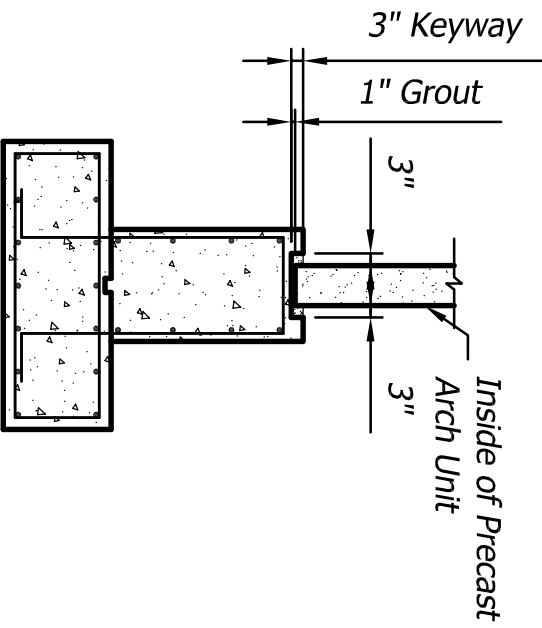


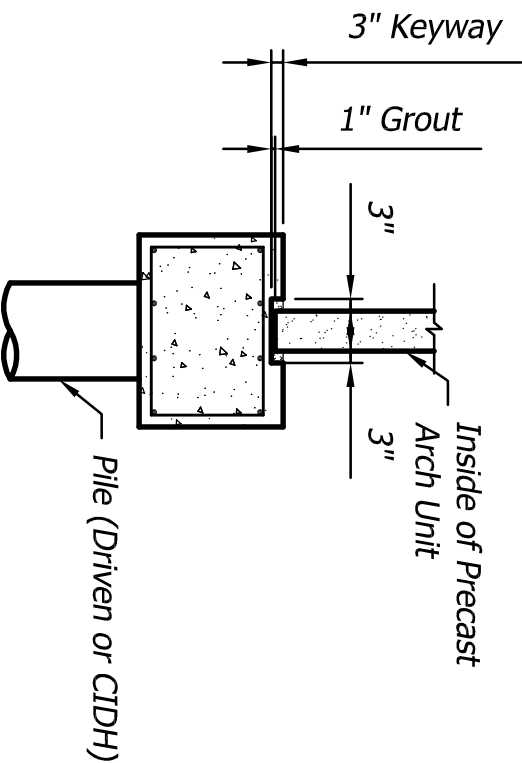
**STRIP FOOTING**



**SLAB FOOTING**



**PEDESTAL WALL FOOTING**



**PILE CAP/FOOTING**

REVISIONS	
1	
2	
3	
4	
5	